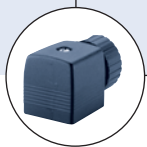




2/2-way solenoid valve, pilot-controlled, for neutral liquids and gases, G 1/4, G 3/8

- High performance – small size
- 0-16 bar, switches without differential pressure
- Insulation class H (coil)
- Fast-acting

Type 6240 can be combined with...



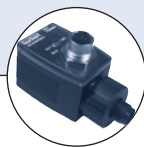
Type 2508

Cable plug



Type 1078

Timer control

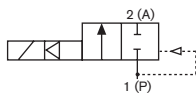


Type 2511

Cable plug ASI

The valve opens without differential pressure from zero bar. Type 6240 is a pilot-controlled solenoid valve with servo-piston and forced valve lifting. The valve is available in circuit function A (normally closed).

Circuit function A



2/2-way valve, NC

Technical data	
Port connections	G 1/4, G 3/8
Orifice	DN 6.0
Body material	Brass, stainless steel 1.4404 (316L)
Coil material	Epoxy
Coil insulation class	Epoxy class H
Internal parts of valve	Brass/stainless steel, PEEK, PTFE carbon filled, FKM (EPDM on request) 1.4113, 1.4303
Seal material	FKM (EPDM, PTFE on request)
Media	Neutral gases and liquids, such as e.g. compressed air, water, hydraulic oil, steam
Media temperature	FKM -10°C to +120 °C EPDM -30°C to +120 °C (on request)
Ambient temperature	max. +55 °C
Operating voltage	24 V DC, 24 V, 230V/50Hz (others on request)
Voltage tolerance	±10%
Duty cycle	100% continuous rating
Electrical connection	Tag connector acc. DIN EN 175 301-803 Form A for cable plug Type 2508 (see accessories)
Protection class	IP 65 with cable plug
Weight	AC 8W 290g, DC 10W 300g
Installation	As required, preferably with actuator upright

Technical data

Orifice [mm]	Power consumption			Hot/cold DC [W]	Response times ¹⁾	
	Inrush AC [VA]	Hold AC [VA/W]	[W]		Opening [ms]	Closing [ms]
6	32	18	8	10/12	20	50

¹⁾ Response times [ms]: Measured at +20°C, valve outlet with 6 bar, Opening Pressure build-up 0 - 90%, Closing: Pressure relief 100 -10%

Material

Stopper	1.4113
Shading ring	copper/silver
Armature guide tube	1.4303
Core	1.4113
Guide ring	PTFE carbon filled
Springs	1.4310
Piston consists of:	<ul style="list-style-type: none"> ▪ Brass/stainless steel 1.4305 ▪ Stainless steel ▪ Peek ▪ PTFE carbon filled ▪ FKM/EPDM/PTFE
Body	Brass/stainless steel 1.4404 (316L)
Seal facing outwards	FKM/EPDM/graphite

Ordering chart for valves (other versions on request)

All valves with FKM seal, without cable plug

Circuit function	Port connection	Orifice [mm]	Kv value water ²⁾ [m ³ /h]	Pressure range ³⁾ [bar]	Item no. per voltage/frequency [V/Hz]		
					024/DC	024/50	230/50
A 2/2-way valve, NC 	Brass body						
	G 1/4	6	0.6	0-16	177 800	177 801	177 802
	G 3/8	6	0.6	0-16	177 803	177 804	177 805
	Stainless steel body						
	G 1/4	6	0.6	0-16	177 806	177 807	177 808

²⁾ Flow rate:
Kv value water [m³/h] measured at +20° C, 1 bar pressure at valve inlet and free outlet.
³⁾ Pressure data [bar]:
Overpressure to the atmospheric pressure

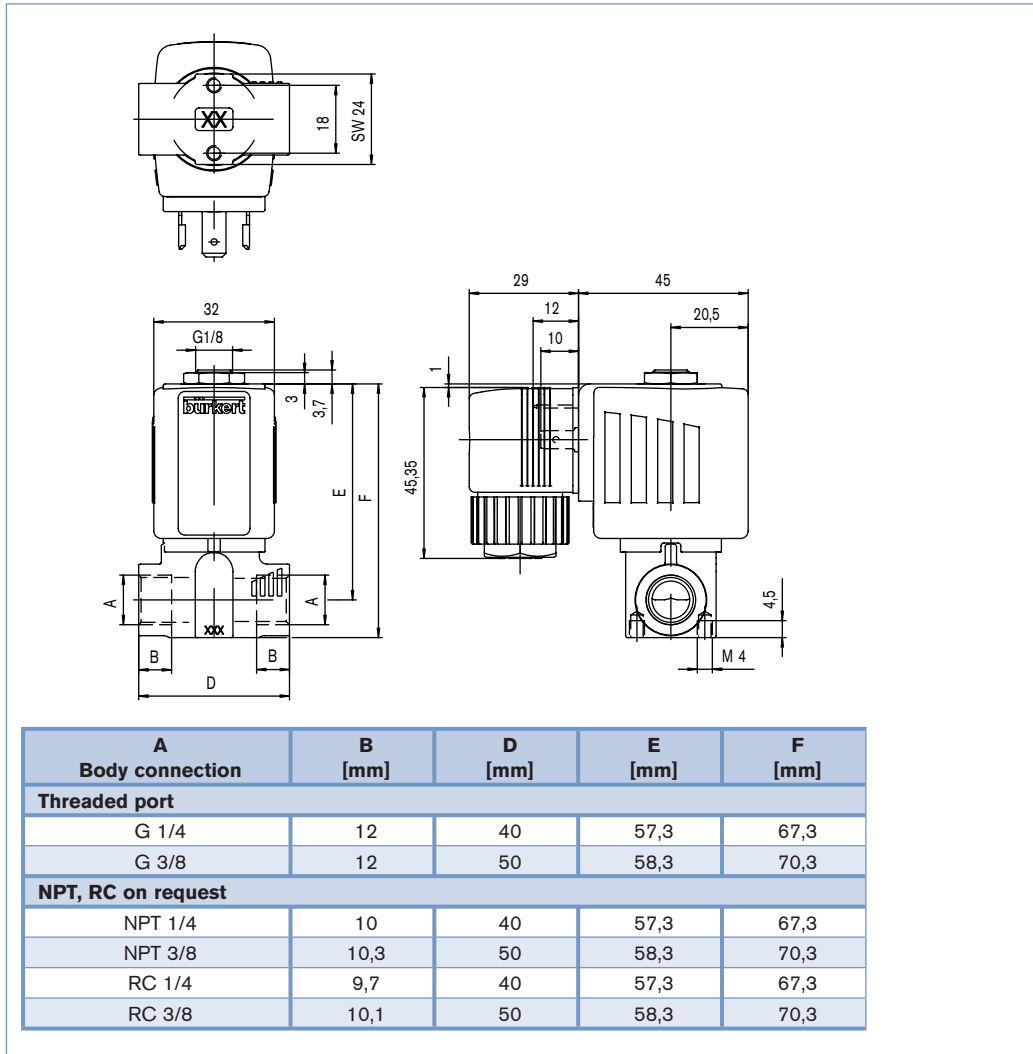
Please note: The cable plug must be ordered separately (see page 3 or datasheet Type 2508)

i Further versions on request

- Materials**
Seal: EPDM, PTFE
- Voltage**
Other operating voltages


- Temperature**
Higher temperatures
- Pressure**
Higher pressures

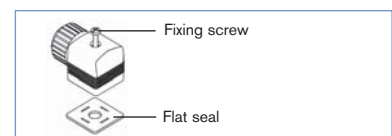
Dimensions [mm]



Ordering chart for accessories

Cable plug Type 2508 according to DIN EN 175301-803 Form A

	Circuitry	Voltage / frequency	Item no.
	None (standard)	0 - 250 V AC/DC	008 376
	with LED	12 - 24 V AC/DC	008 360
	with LED and varistor	12 - 24 V AC/DC	008 367
	with rectifier, LED and varistor	12 - 24 V AC/DC	008 363
	with LED	200 - 240 V	008 362
	with LED and varistor	200 - 240 V	008 369
	further versions see datasheet Type 2508		



The delivery of a cable plug includes the flat seal and the fixing screw. For other cable plug versions acc. to DIN EN 175301-803 Form A (previously DIN 43650), see separate datasheet Type 2508.

To find your nearest Bürkert facility, click on the orange box →

www.burkert.com

In case of special application conditions, please consult for advice.

We reserve the right to make technical changes without notice.

0612/1_EU-en_00895017